



Accessories

Venturi regulator

VR-15,20,25,32,40,50

VR-15,20,25,32,40,50

Venturi regulator

Only by changing the gas pressure,
a mixer capable of combustion control.

Feature

- 1 The venturi regulator is a Bunsen mixer which draws the atmosphere (air) into the negative pressure caused by injecting gas from the nozzle to make a mixed gas.
- 2 low price.
- 3 It is simple with gas line piping only.



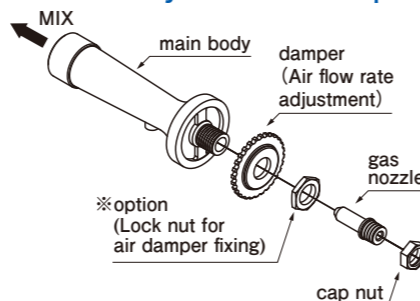
Main Usage

- Mixer for gas and air

Specifications

Type		VR-15	VR-20	VR-25	VR-32	VR-40	VR-50
VR main body	mixing gas, Exit side diameter(Rc)	1/2	3/4	1	1 1/4	1 1/2	2
Standard accessories	gas nozzle(R)*1	small×1/4 or small×3/8			large×3/8 or large×1/2		
	cap nut*2	small			large		
Option	lock nut*3	small			large		

Main body basic set example



※1 About the hole diameter of gas nozzle When not specified, it is shipped only by "centering".

In case of shipping with a hole in the factory (separate fee), please specify.

※2 cap nut must be used in combination with nozzle.

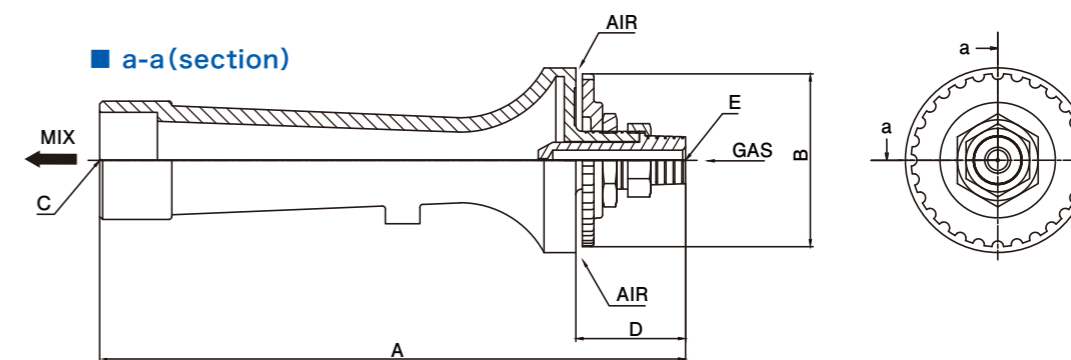
※3 Lock nut (option) is used when you want to fix the air damper.

Reference data

Model		VR-20		VR-25		VR-32		VR-40		VR-50	
Burner(example)		SF-20	SF-25	SF-25	SF-32	SF-40	SF-32	SF-40	SF-40	SF-50	SF-80
Gas nozzle hole size (mmφ)		0.5	0.9	0.8	1.1	1.4	1.0	1.4	1.3	1.8	2.8
Maximum amount of combustion by gas pressure (kW) ※ (reference data)	3kPa	1.7	2.9	2.3	4.3	7.0	3.6	7.0	6.0	11.5	27.9
	10kPa	3.2	5.2	4.1	7.8	12.8	6.5	12.8	10.9	20.9	50.8
	30kPa	5.5	9.1	7.2	13.6	22.1	11.3	22.1	19.0	36.4	88.3
	70kPa	8.4	13.8	10.9	20.7	33.7	17.2	33.7	29.0	55.6	134.5
	100kPa	10.0	16.6	10.9	24.8	40.1	20.5	40.1	34.7	66.4	160.8
	150kPa	12.3	20.3	16.0	30.3	49.2	25.1	49.2	42.4	81.3	196.9

※The amount of combustion of the venturi regulator changes somewhat depending on the burner used and furnace conditions.

Overall size



Model		VR-15	VR-20	VR-25	VR-32	VR-40	VR-50
Overall size (mm)	A	167	187	187	232	305	305
	B (φ)	60	60	64	69	78	88
	C (Rc)	1/2	3/4	1	1 1/4	1 1/2	2
	D	22	22	22	22	25	25
Gas nozzle connecting size (R)	E (R)	3/8	3/8	3/8	3/8	3/8, 1/2	3/8, 1/2

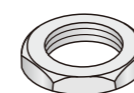
Related parts(option)

For damper fixing
Lock nut small / large

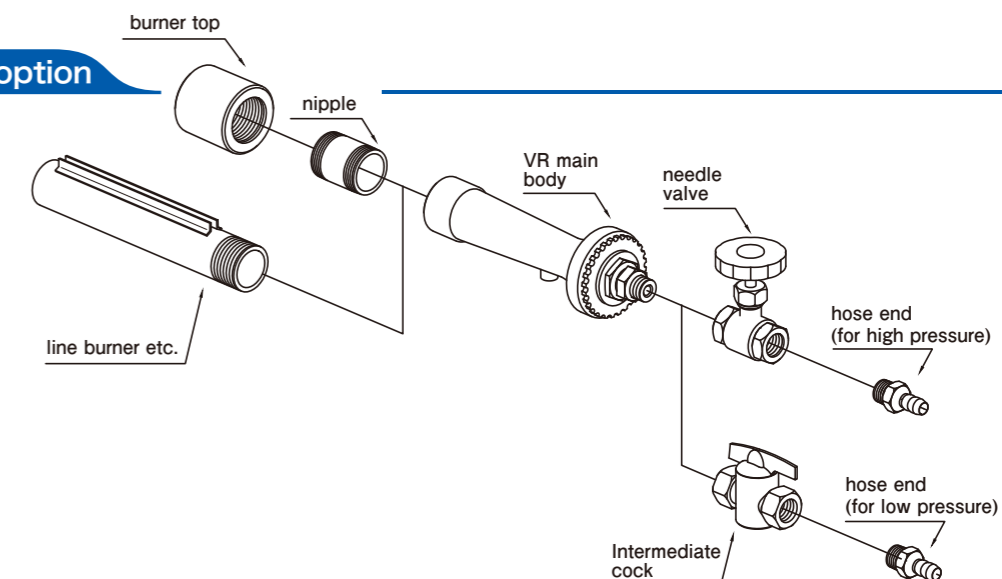
Hose end
(for low pressure)
3/8R·1/2R

Needle valve
3/8Rc

Cock
3/8Rc·1/2Rc



Gas base side option



Handling Precautions

- 1 Please note the pressure loss on the mixed gas outlet side. (If resistance is high, air can not be suctioned.)
- 2 Do not place any shielding around the air suction damper, and take care not to suction dust, steam, etc.