



Radiant tube burner

Single-ended burner

TRF-100A,125A

TRF-100A,125A Single-ended burner

The TRF burner is a gas-fired tube heater of single end type. Built-in heat exchanger inside burner body, compact energy saving type

Feature

- Built-in heat exchanger in the burner body, it can recover waste heat and save fuel consumption.
- Single end tube is a 2 layer structure of outer tube and inner tube. Since the flame and heat flow that passed through the inner pipe are injected not only from the top but also from the front small hole into the outer pipe, the tube surface temperature is uniform.
- Installation is possible both horizontally and vertically.
- By attaching an ejector to the exhaust port, it is possible to make the outer cylinder part negative pressure. Therefore, even when the outer pipe is damaged, it is possible to prevent the flue gas from leaking into the furnace.
- When using a heat resistant metal outer tube, the furnace temperature up to 950°C is possible.
- By using a ceramic outer tube, it is also possible to cope with high temperature.



TRFHL-100A

Main Usage

- It can be widely used in atmosphere heat treatment furnaces such as carburizing furnaces and quenching furnaces, and indirect heating ovens for foods.

Model table

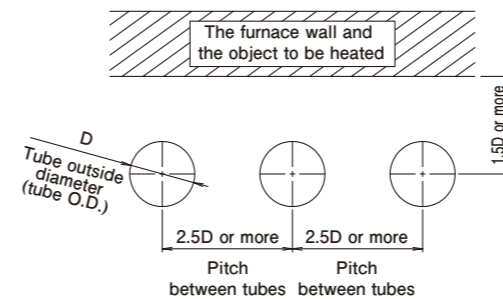
TRF-	Material of inner and outer pipe	Built-in heat exchanger	outer tube size
	signal Select Specifications	signal Select Specifications	signal Select Specifications
	Nothing Heat-resistant steel etc.	Nothing Standard	100A 2type
	C ceramic	H High efficiency type	125A
		HL High efficiency exhaust pipe expansion type	

Specifications

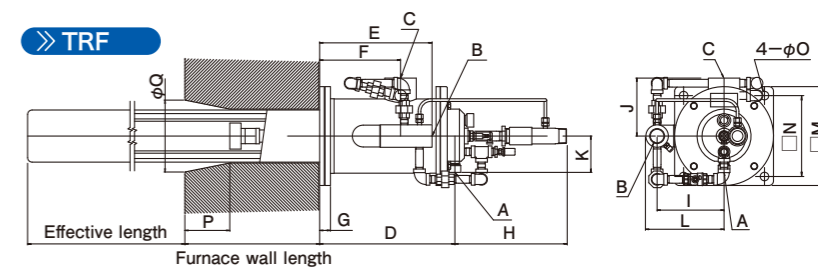
outer tube size	100A	125A
combustion capacity (kW)	8~28	10~34
furnace wall dimension (mm)	150~600	
Effective length (mm)	500~1500	600~1800
gas supply pressure (kPa)	8.0 or more (equalization valve supply pressure)	
gas supply pressure (kPa)	6.5 or more (burner supply pressure)	
Standard air ratio	1.2	

Overall size

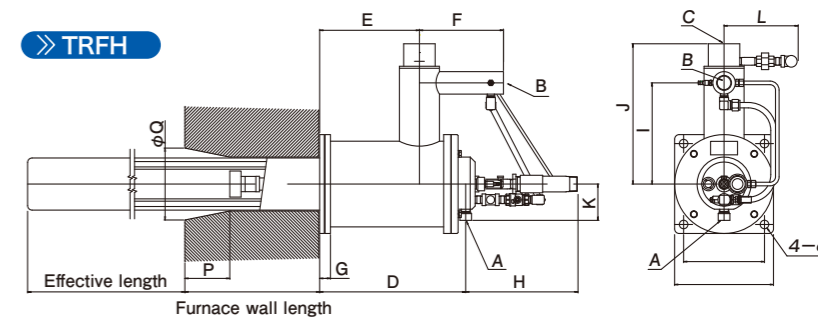
Standard of burner arrangement



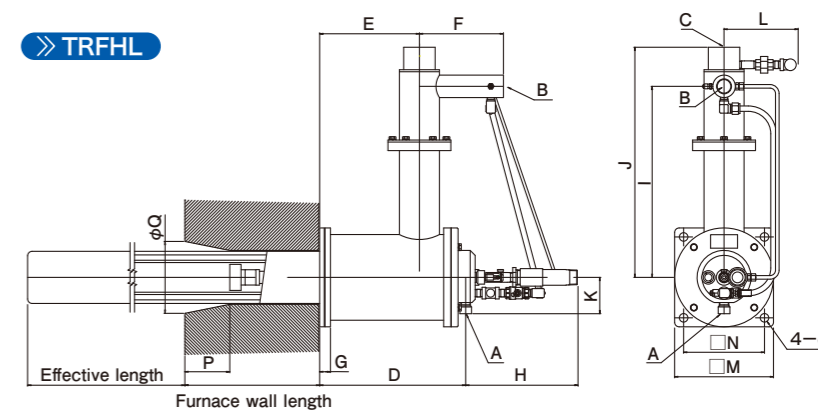
TRF



TRFH

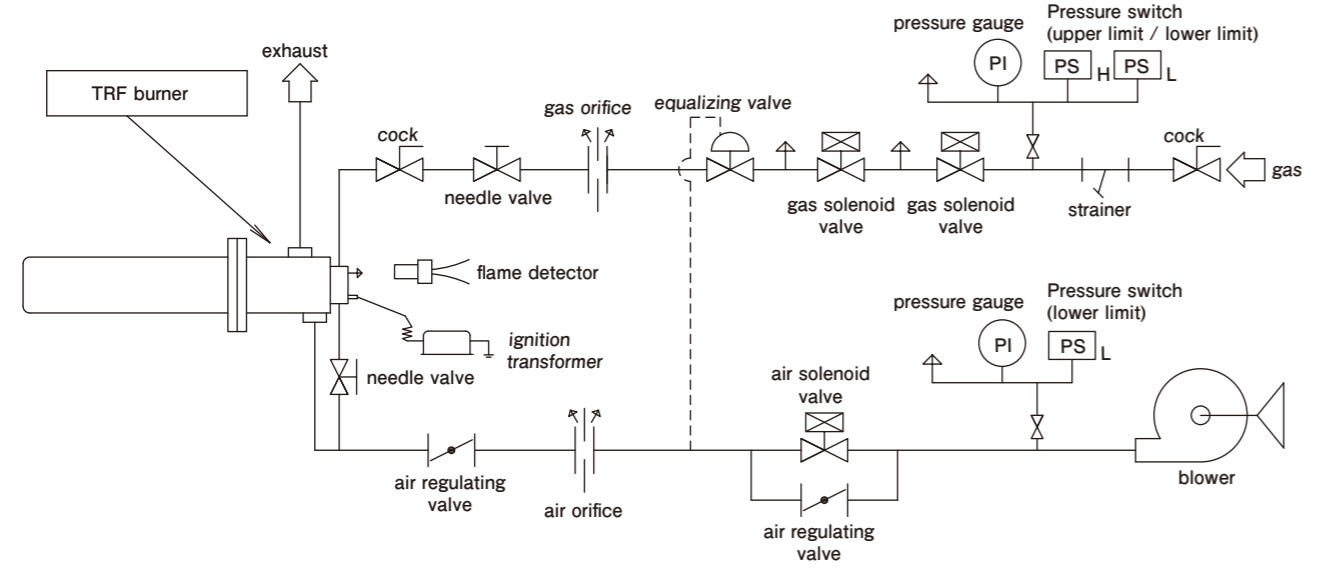


TRFHL



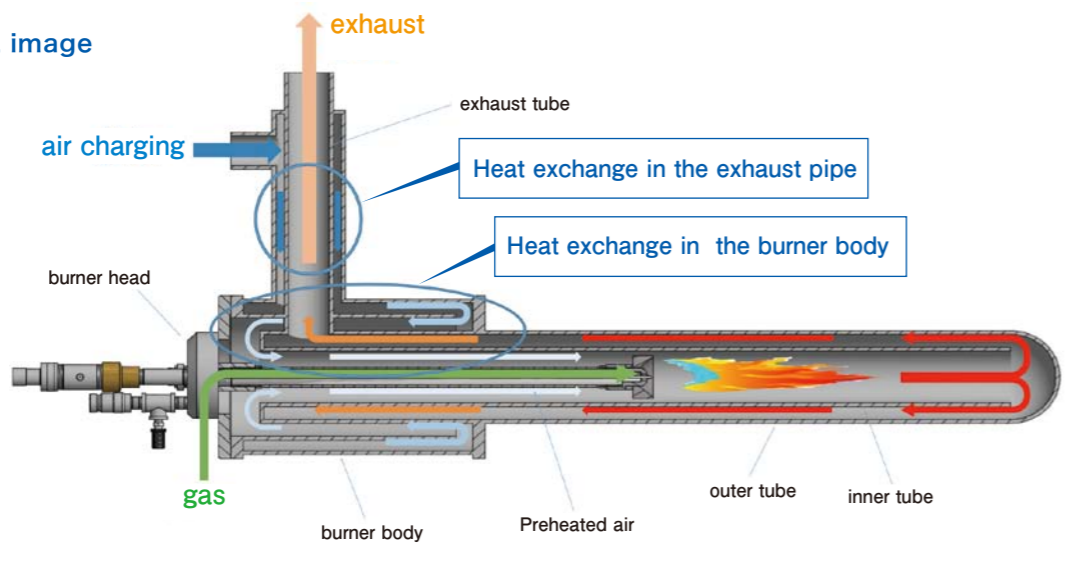
Model	TRF-100A	TRFH-100A	TRFHL-100A	TRF-125A	TRFH-125A	TRFHL-125A	
Connection diameter (Rp)	A (gas)	1/2					
	B (air)	1					
	C (exhaust)	2					
Overall size (mm)	D	301	325	325	286	326	326
	E	250	222	222	325	222	222
	F	180	187	187	172	187	187
	G	24					
	H	250					
	I	149	225	425	160	238	438
	J	129	312	512	160	325	525
	K	80					
	L	175	165	165	185	165	165
	Mounting size (mm)	M	220			255	
		N	180			215	
O		19					
P		100					
Q		160			190		

Example of flow sheet



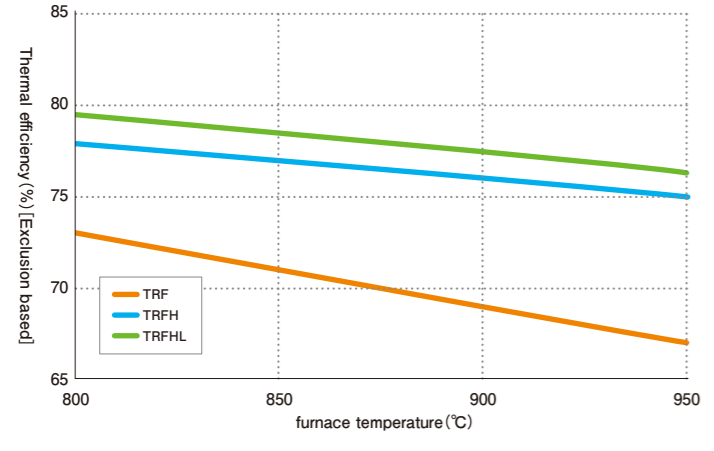
Principle and structure

TRFHL image



Thermal efficiency characteristics

single-ended radiant tube burner TRF type. Thermal efficiency characteristics by furnace temperature



※Each value is based on the combustion test conducted by our company and it depends on usage situation.

Handling Precautions

- 1 Matching with the furnace body will greatly affect the efficiency, so please be sure to consult with us.