



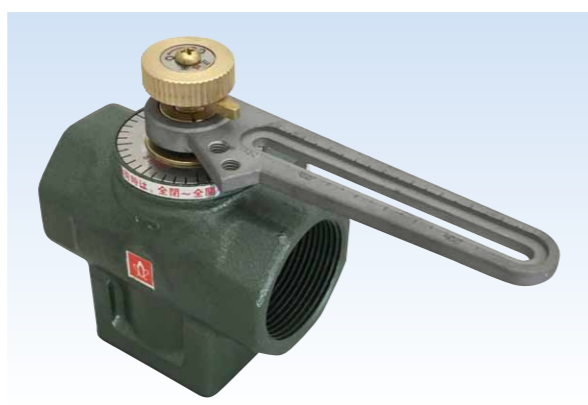
Accessories Proportional Valve

SVP-20,25,40,50,80

Easy adjustment of valve port, stable flow (combustion) control is possible

Feature

- 1 Unlike the conventional butterfly valve, the proportional valve adopts a square port system, so it is possible to obtain more linear flow characteristics and stable flow (combustion) control.
- 2 In combustion system piping, differences in flow characteristics due to differences in air and gas diameters can be corrected as much as possible.
- 3 Since the proportional valve can set the valve port area to an arbitrary size with only one adjusting knob,
- 4 it is easy to change the gas body (calorie conversion).
- 5 Adjustment of valve port can be done with one knob, with lock screw.
- 6 Because the proportional valve can vary the valve port area, it can be used as "upper limit valve" along with flow control. (It saves limiting valves and is economical.)
- 7 The control motor of each maker can be installed with the control motor setting plate (option). It is shape that it is easy to work with the pipe wrench.
- 8 Control handle is made of stainless steel with scale that sees easily.

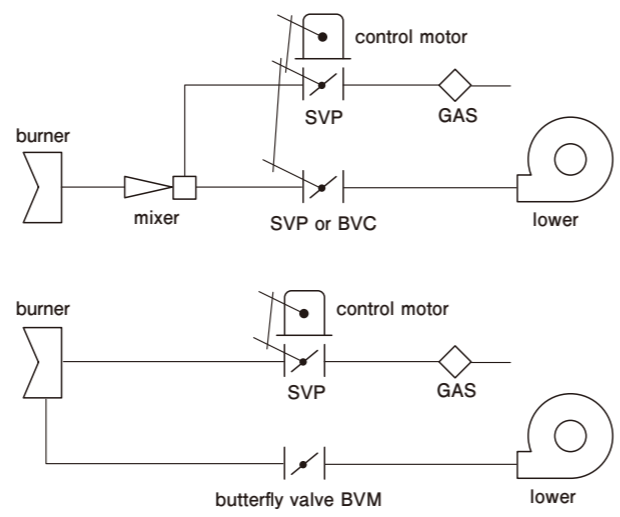


Main Usage

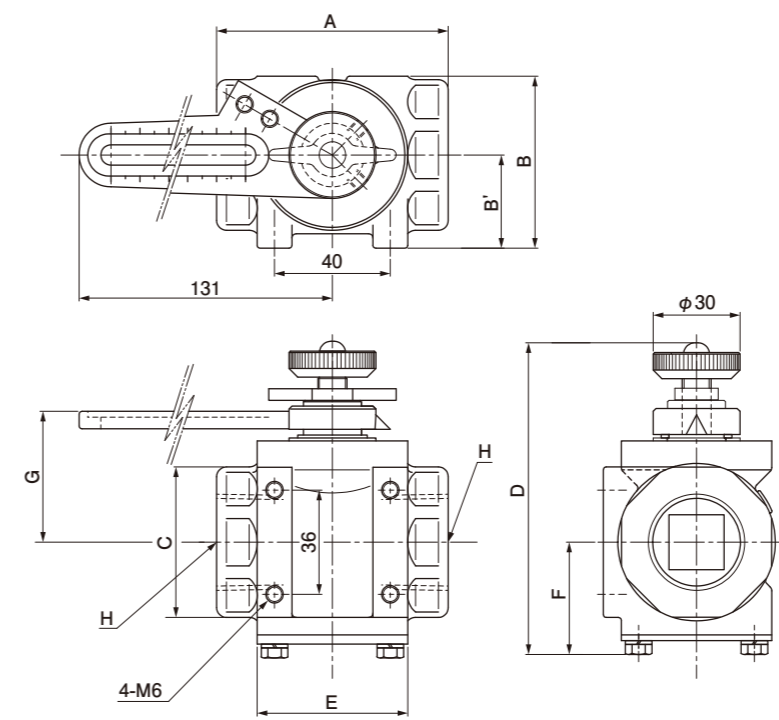
- For adjustment of gas flow rate.
- For upper limit of gas line.

Example of flow sheet

As shown in the figure on the right, in general, a linkage system using SVP for gas lines is widely adopted.



Overall size



Model	SVP-20	SVP-25	SVP-40	SVP-50	SVP-80	
overall size (mm)	A	80	80	100	120	160
	B	60	60	62	78	110
	B'	32	32	32	40	57.5
	C(φ)	52	52	58	72	100
	D	108	108	128	145	198
	E	52	52	58	72	100
	F	39	39	54	67	103
	G	47	47	51	57	72
connecting size(Rc)	H	3/4	1	1 1/2	2	3
opening size (mm)	I(□)	16	19	27	36	54

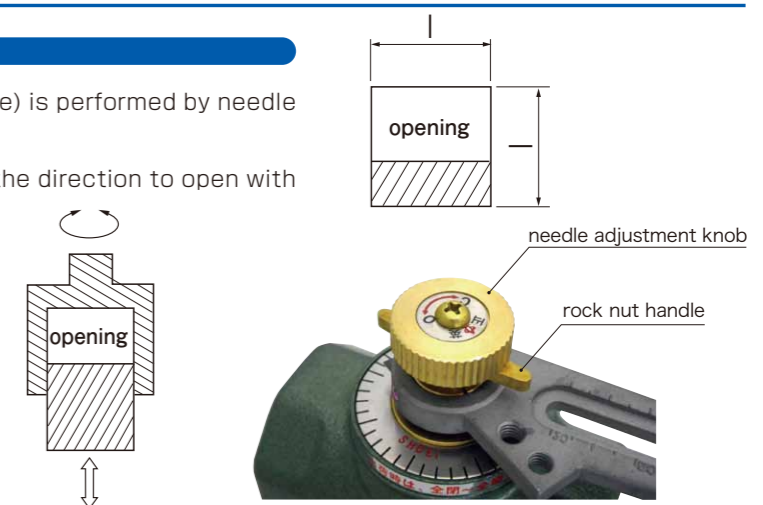
Material

Main body	FCD450
Valve port	C3604
O-ring	NBR
Handle	SCS13

How to use

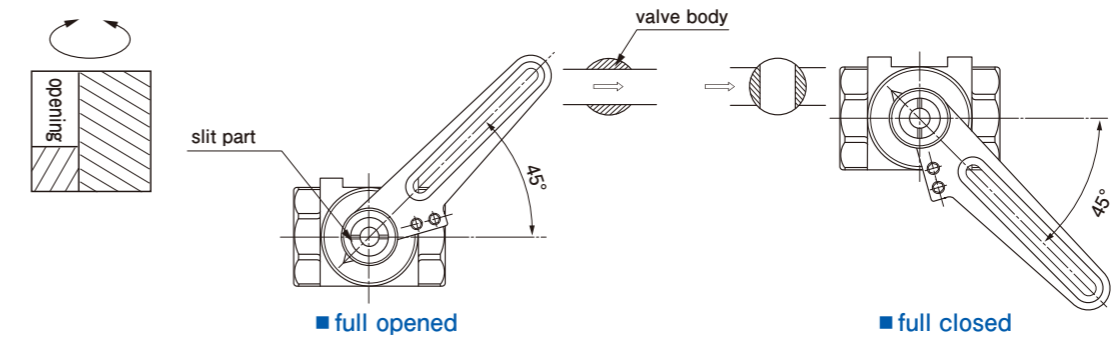
Port opening adjustment

- Adjustment of port opening area (opening degree) is performed by needle adjustment knob
- It can be changed 1 mm in 1 turn each time in the direction to open with the left rotation and to the direction to close with the right rotation.
- Needle
Fix the needle with the locknut handle under the knob. Please hold it firmly with the other hand while pressing the knob with one hand so that the setting does not move.



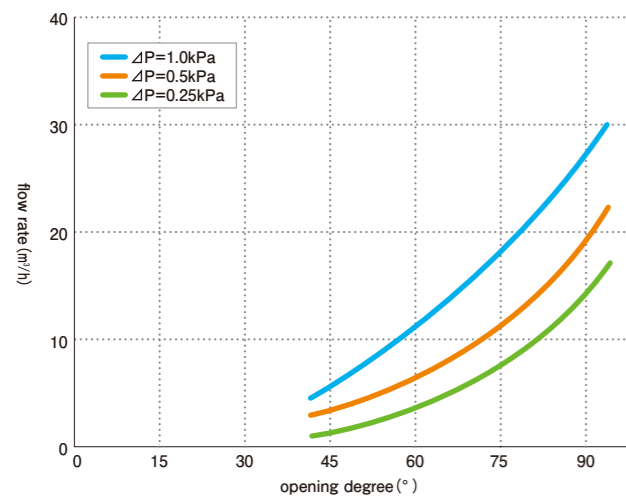
Adjustment of valve opening degree

- The degree of opening of the valve body varies according to opening and closing of the handle as shown in the figure below. The degree of opening can be determined by the tip of the handle and the dial, but it can also be known by the orientation of the slit in the center.

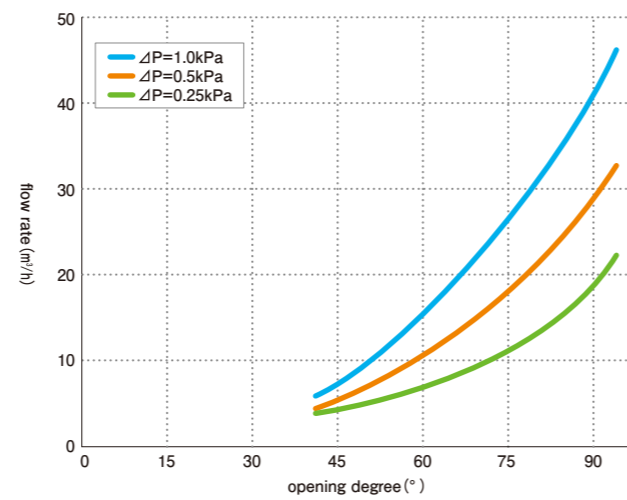


SVP flow characteristics

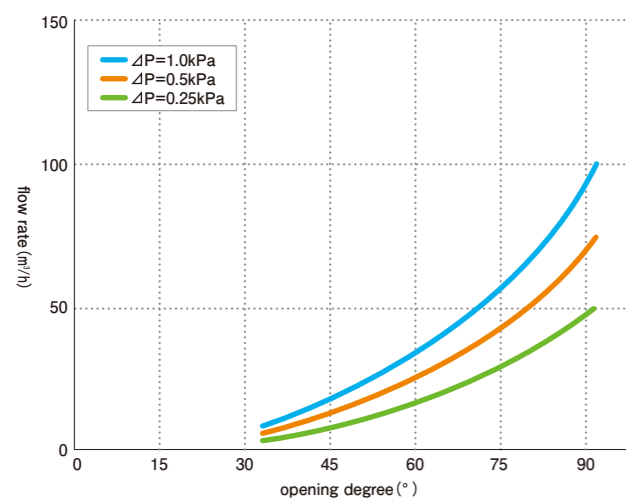
SVP-20



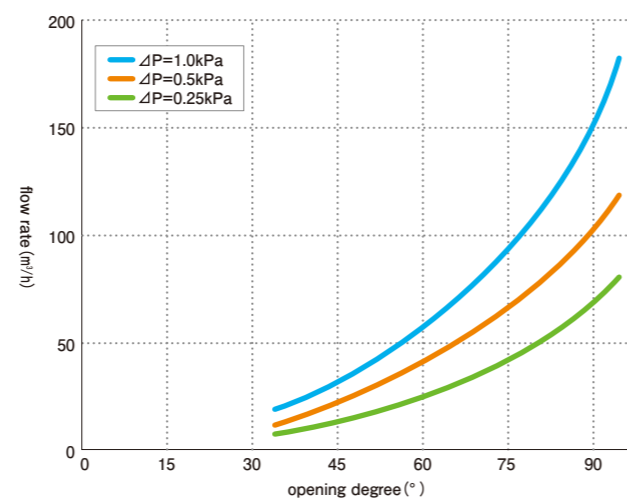
SVP-25



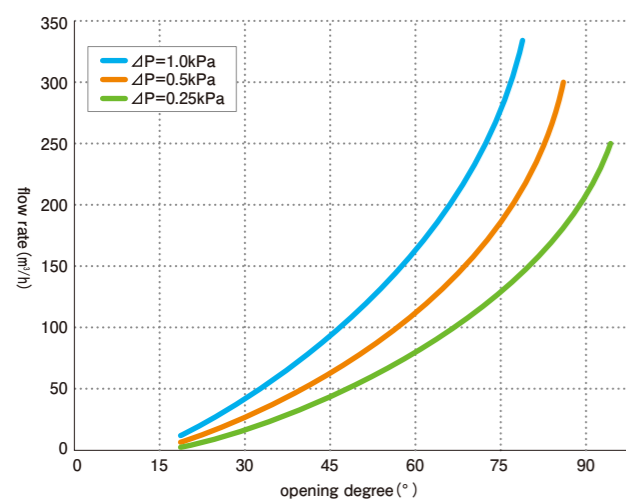
SVP-40



SVP-50



SVP-80



Handling Precautions

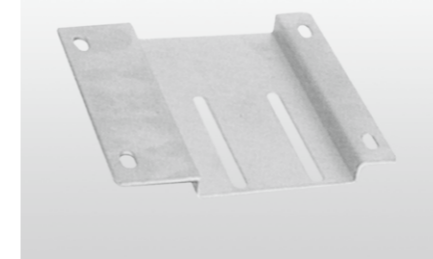
- Since the proportional valve (SVP) is a flow control valve, please do not use it as a closing cock.
- Use fluid temperature at 60 °C or lower.
- Standard pressure is 10 kPa or less for operating fluid pressure.
- Although the rotation torque of handle is adjusted within 2.94 N · m, please pay attention to the torque of the motor when using many proportional valves linked.
- At factory shipment, ① port opening is fully closed, ② relationship between valve body opening and handle is set like the right figure (45 °).



C ——— O When shipped, fully closed to fully open is set in this position.

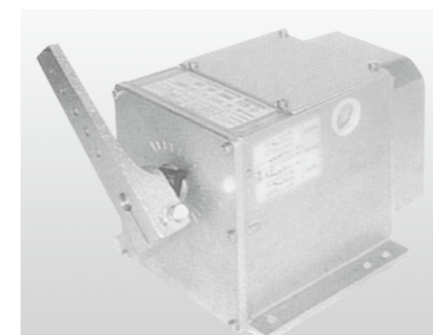
Option

control motor setting plate



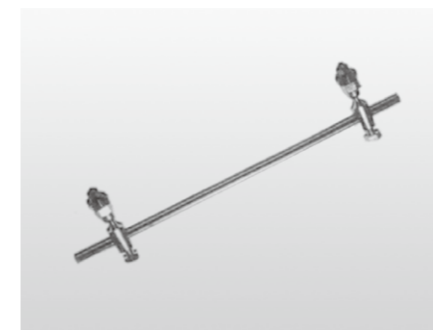
When installing and interlocking the control motor, please use our exclusive control motor mounting plate. (Azbil · Nissho Keiki · N-RIKEN correspondence)

control motor(example)



- CN0125H/LT(Hi-Low control)
AC100V(200V)
- CN0125PH/LT(PI control PT135Ω)
AC100V(200V)

linkage rod and linkage joint



Linkage rod $8\phi \times 300\ell$ } etc.
 $8\phi \times 500\ell$ }

It is prepared with a dedicated linkage joint.