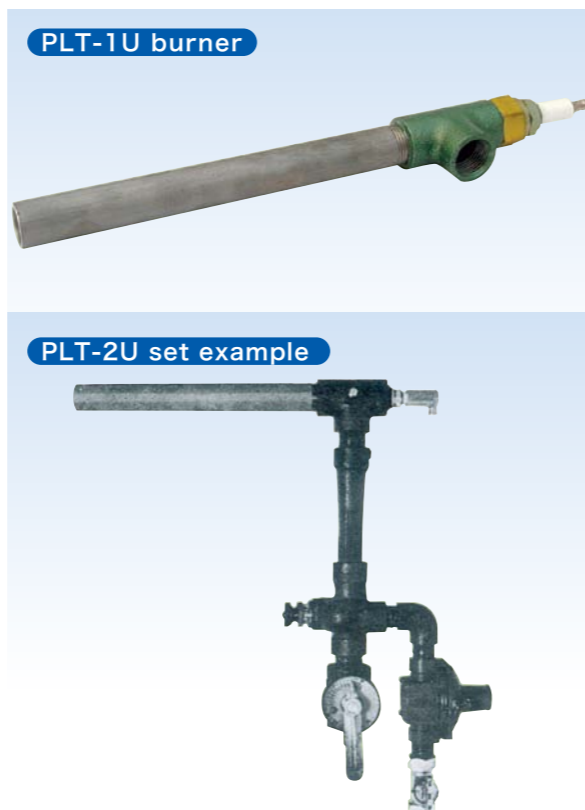


## Pilot burner for various kind of burners with high flame stability.

### Feature

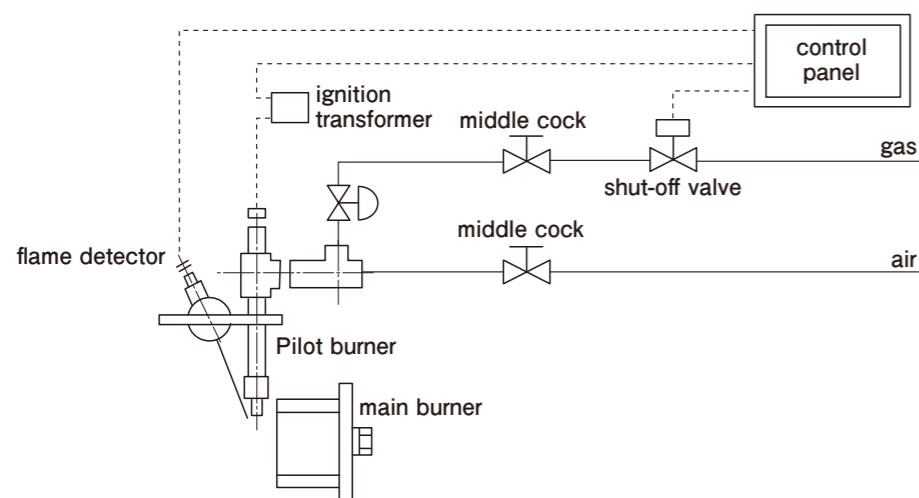
- 1 Because of the plast type pilot burner, flame stability is high.
- 2 Because the flame is strong and long, ignition to the main burner is surely done.
- 3 Burner top uses SUS 304 and high durable.
- 4 We can fine-tune the mixing ratio so it can be used for any gas.
- 5 Ignition to the burner is done reliably because of the high voltage electric spark.
- 6 Even if the variation of the air pressure is intense, it can stabilize the flame at a constant mixing ratio by using a zero governor.
- 7 Burner length can be processed as long and short (custom made) besides standard.



### Precautions

- The branch of the gas pipe and the air pipe to the pilot burner shall be in a position not affected by the pressure fluctuation at the time of using the main burner. (Excepting the case of using a zero governor)
- For zero governor use, air pressure 0.5 kPa or more is desirable.
- The secondary voltage of the ignition transformer shall be 5,000 to 15,000 V.
- The positional relationship between the pilot burner and the main burner, please a position to reliably ignited in any case.

### Example of piping system



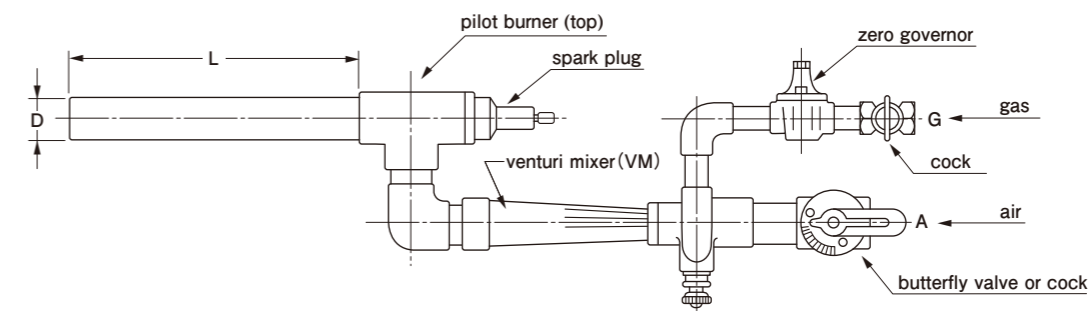
### Specifications · Dimensions

Model	PLT-0.5U	PLT-1U	PLT-2U
Standard combustion capacity (kW)	5.8	11.6	23.3
Standard air pressure (kPa)	1.8	3.0	4.5
Overall size (mm)	L*	200/300	200/300
	D	1/2	3/4
Connection size (Rc)	G (gas)	1/2	3/4
	A (air)	1/2	1

\*Special size is possible.

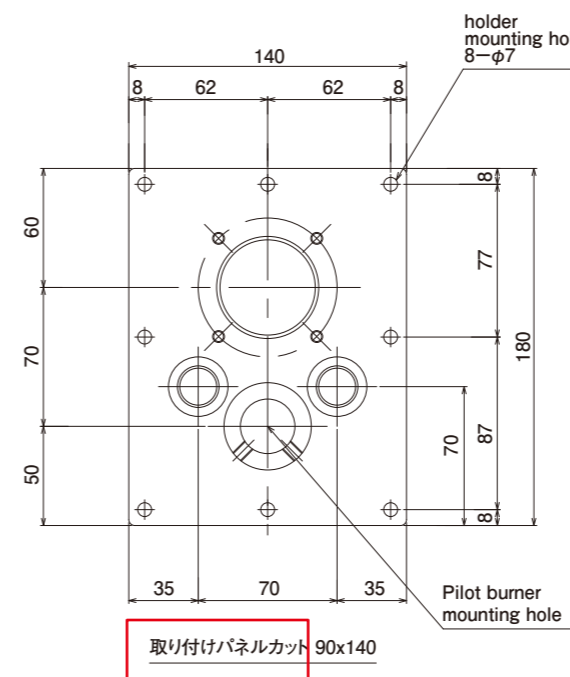
#### Pilot burner set

(It is an example set assembled compactly with a dedicated mixer.)

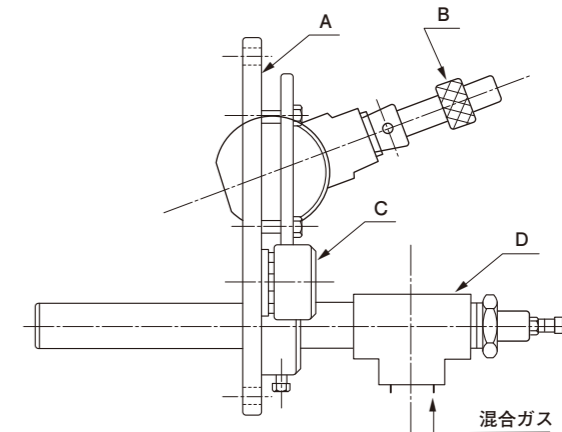


#### Pilot burner and flame detector holder (option)

- The holder for setting pilot burner, sight hole and flame detector on the furnace wall.



#### Pilot burner assembly (Option assembly set)



#### Setting holder specifications

name	A (holder)	B (flame rod or ultraviolet phototube)	C (sight hole)	D (Pilot burner)
remarks	Mounting size prepared hole processing 90mm×140mm	Connection size (R) 1/2	Connection size (R) 1/2	For PLT-2U, it will be made to order.