



Induct burner

DCM burner

DCM-10, 20, 30, 40, 50, 60

DCM-10,20,30,40,50,60 DCM burner

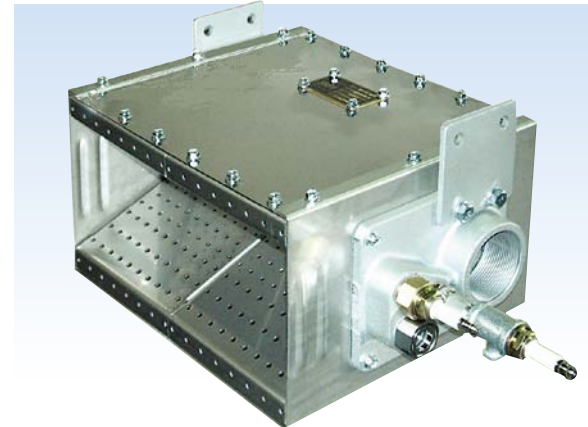
With a simple pilot mechanism, reliable ignition, stable combustion over a wide range.

Feature

- 1 HI - LOW - OFF of main combustion is also possible.
- 2 Simple and secure flame detection mechanism of frame rod type
- 3 Durable stainless steel casing
- 4 It is lightweight(compared to our conventional product), so installation is easy.

Main Usage

- **Painting and plating industry**
 - Baking and drying of paint,
 - Draining and drying after pretreatment
- **Textile industry**
 - Dough drying, drying after dyeing
- **Food industry**
 - Drying of noodles, drying of agricultural products · cereals,
 - Aquatic products drying, tea leaves drying, Spray dryer
- **Metal Processing & Chemical Industry**
 - Heat treatment furnace, adhesive drying,
 - Foam treatment of sheet material
- **Wood industry · leather goods**
 - Wood drying, urethane painting drying, dyeing of leather Drying
- **Ceramic industry, Casting**
 - Raw material drying, preliminary drying after molding,
 - Drying of casting mold
- **Other**
 - Warm air curtain

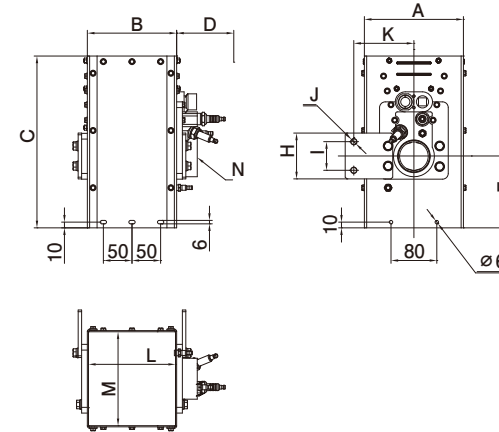


flame

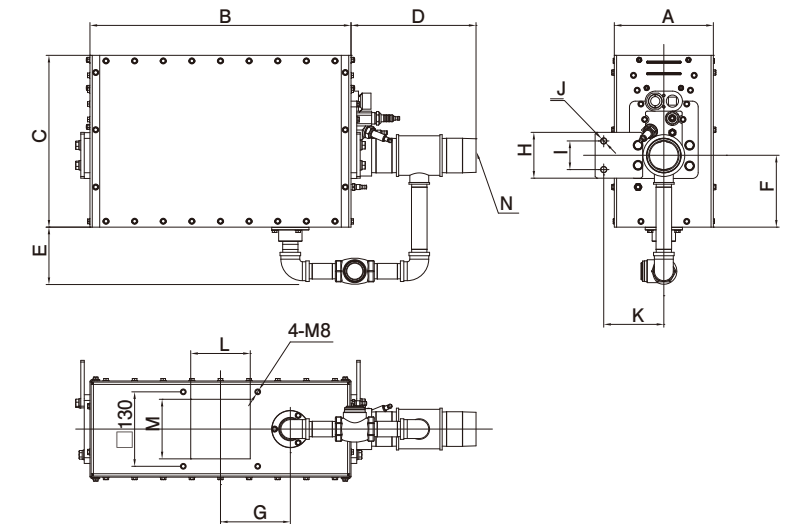


Overall size

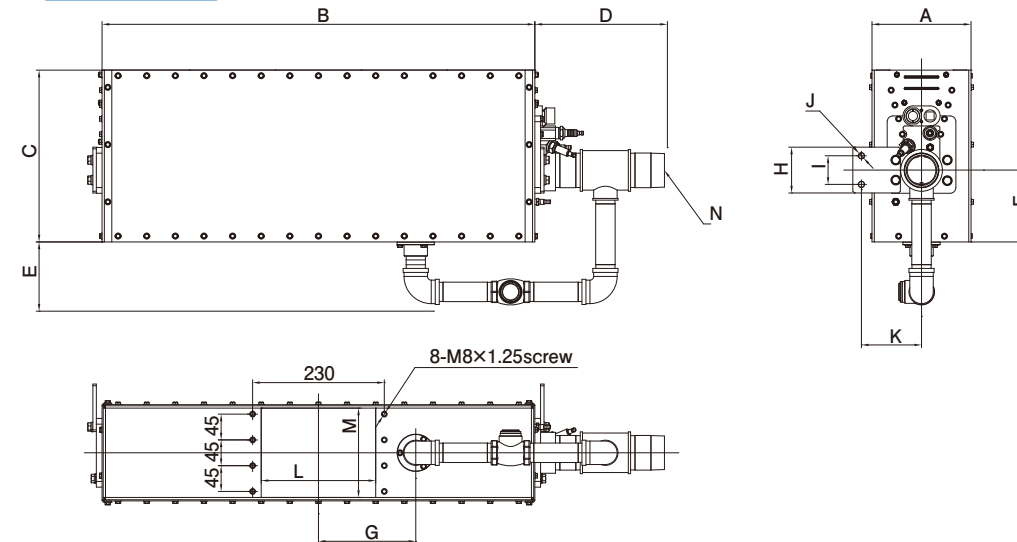
DCM-10



DCM-20,30,40



DCM-50,60



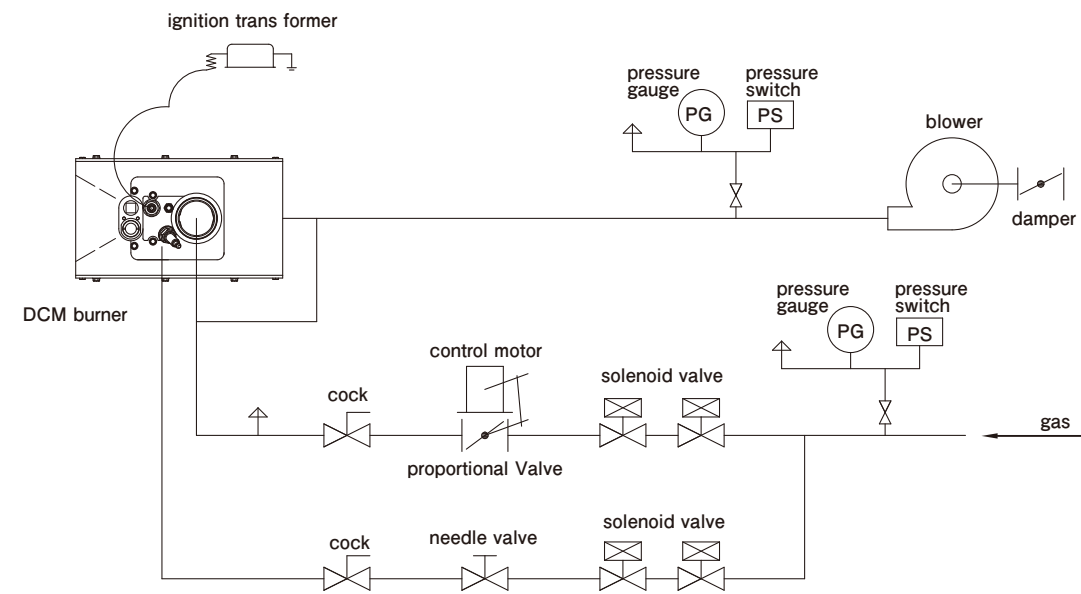
Specifications

Model	DCM-10	DCM-20	DCM-30	DCM-40	DCM-50	DCM-60
Rated burning capacity (kW)	116	233	349	466	582	698
Gas supply pressure (kPa)	13A	2.0				
	LPG	2.8				
Appropriate air ratio	2.0					
Appropriate combustion air flow (Nm ³ /h)	200	400	600	800	1000	1200
Appropriate combustion air supply pressure (kPa)	0.6					
Appropriate pilot combustion capacity (kW)	11.6					
visible flame length at rated combustion (mm)	1000					
Appropriate wind speed in burner passing duct (m/s)	5~20					
Proper duct internal pressure (kPa)	-0.5~+0.5					
Corner installation proper duct internal pressure (kPa)	-0.5~0					
Burner primary side temperature upper limit (°C)	350					
Burner secondary side upper temperature limit (°C)	800					

※ It is data on open combustion.

Model	DCM-10	DCM-20	DCM-30	DCM-40	DCM-50	DCM-60	
Overall size (mm)	A	173					
	B	156	306	456	606	756	906
	C	300					
	D	100	230				
	E	120					
	F	125					
	G	—	122	145	170	195	
Mounting size (mm)	H	80					
	I	50					
	J(φ)	10					
	K	105					
	Frontage size (mm)	L	152	□104		150	200
M		164	156				
Connecting size	N(gas)	Rc 2					

Recommended piping flow chart



Handling Precautions

- ① In the case of rod detection, gas is always flowing in the pilot line.
- ② The burner is located in the center of the duct.
- ③ The wind speed passing through the burner is equal.
- ④ Take clearance of 100 mm or more between burner and duct and burner and burner.