

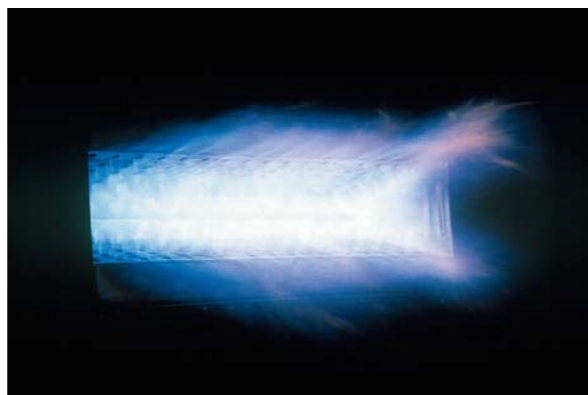
Because it is a premixed type, there is no worry of backfire and combustion heating is done with high efficiency.

Feature

- 1 **Widely adjustment range**
Turndown ratio is adjustable over a wide range of 1:10 or more.
- 2 **High reliability**
Because the combustion method adopts the premixing method, there is no worry of backfire.
Moreover, it can be used safely with built-in automatic combustion device.
- 3 **Efficient heating method**
Clean gas firing is efficient because it can burn directly in the duct and heat the air.
- 4 **Easy operation**
The temperature can be controlled by simply adjusting the gas line.
- 5 **Excellent durability**
With hot air circulation type, high efficiency heating can be performed, and since the main part of the burner is made of stainless steel, it can withstand high temperature circulation (350°C).



flame



Main Usage

- Baking furnace (metal coating, plywood, resin, etc.)
- Drying oven (drying of fiber, food, printing, metal draining etc.)
- Heating furnace (preheating furnace, metal preparation furnace, heat set furnace, oil quenching furnace etc.)
- Deodorizer (Direct combustion·Catalytic combustion method etc.)
- For every hot air disposal

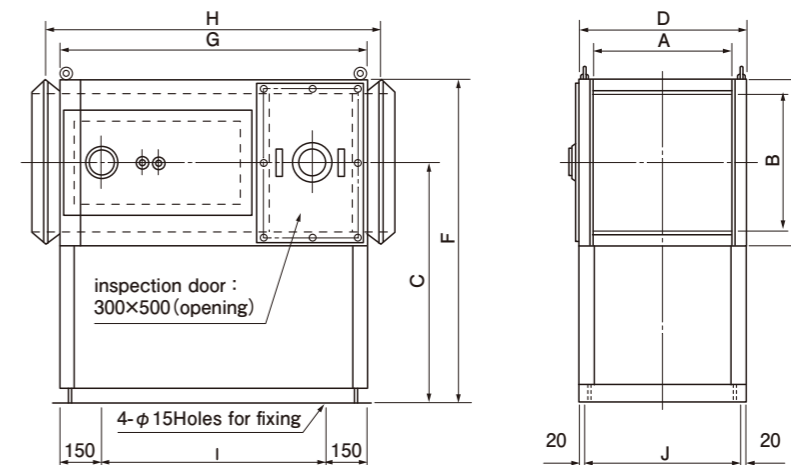
At the time of order, please let us know about the followings.

- Usage
- Hot air static pressure(kPa)
- Necessary heat quantity(kW)
- Voltage(V)
- Hot air temperature(°C)
- Frequency(Hz)
- Hot air quantity(Nm³/min)
- Gas

Specifications

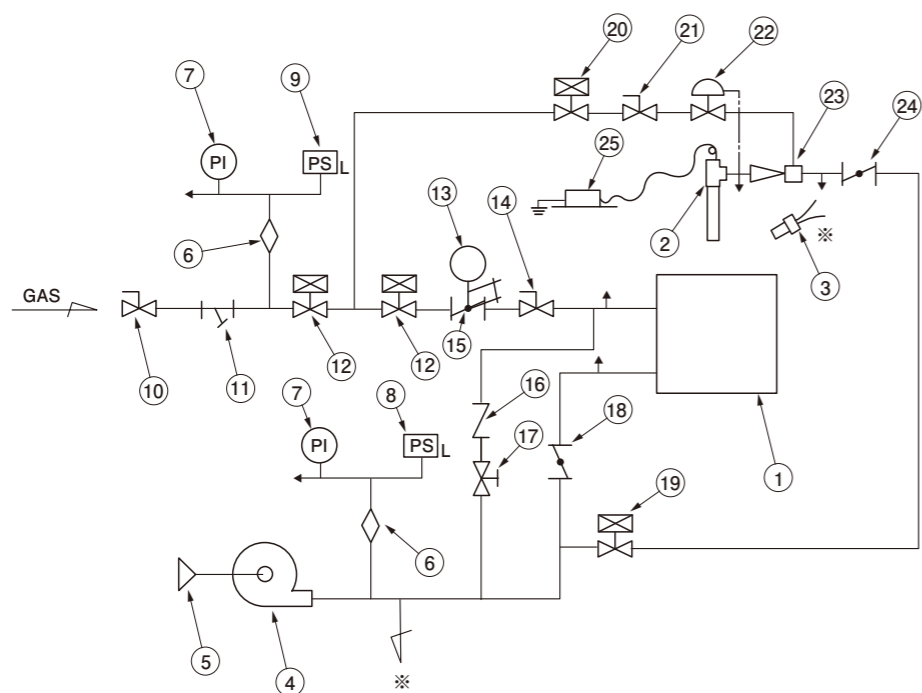
model	AH-10D	AH-20D	AH-30D	AH-40D	AH-60D	AH-80D
maximum combustion capacity(kW)	116	233	349	465	698	930
fuel consumption quantity (m ³ /h)	13A	9.1	18.2	27.3	36.4	54.4
	LPG	4.2	8.3	12.5	16.7	25.0
combustion method	premixing method					
detection method	ultraviolet phototube					
control method	H/L or PI control by control motor					
piping connection size	13A	1	1 1/2	2	2	2 1/2
	LPG	3/4	1	1	1 1/2	1 1/2
gas supply pressure (kPa)	13A	2.0				
	LPG	2.8				
Hot air blowing cross section(mm×mm)	500H×500W	500H×800W		700H×700W	700H×900W	700H×1100W
Flange (mating flange)	L40×3t			L50×4t		
base	L50×4t			[75×40×5t		
frame	L50×4t			[75×40×3.2t		
inside plate	2.3t SS			3.2t SS		
outside plate	1.0t SPC					
heat insulation	MGF50t			MGF75t		
eye bolt	M12					

Overall size



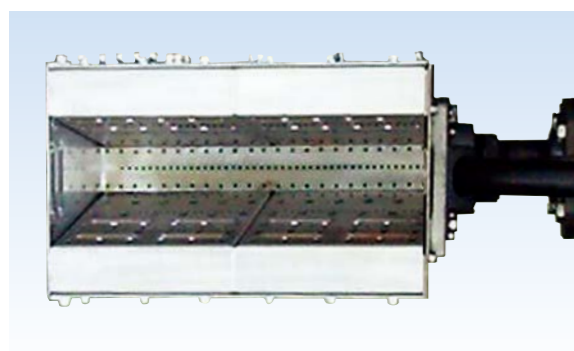
model	AH-10D	AH-20D	AH-30D	AH-40D	AH-60D	AH-80D
Overall size (mm)	A	500	800	800	700	900
	B	500	500	500	700	700
	C	900	1000	1000	1000	1300
	D	600	900	900	850	1050
	E	600	600	600	850	850
	F	1200	1300	1300	1425	1725
	G	1120	1120	1120	1100	1400
	H	1200	1200	1200	1200	1500
	I	820	820	820	800	1100
	J	560	860	860	810	1010

Piping flow sheet



No.	parts name	No.	parts name	No.	parts name	No.	parts name	No.	parts name
1	main burner	6	needle valve	11	strainer	16	check valve	21	cock
2	pilot burner	7	pressure gauge	12	solenoid valve	17	needle valve	22	zero governor
3	ultraviolet phototube	8	air pressure switch	13	control motor	18	butterfly valve	23	venturi mixer
4	blower	9	gas pressure switch	14	ball valve	19	solenoid valve	24	butterfly valve
5	filter	10	ball valve	15	proportional valve	20	solenoid valve	25	ignition transformer

SDC burner



Handling Precautions

- Appropriate pressure range in duct
 13A gas -0.5~+0.3kPa
 LP gas -0.5~+0.5kPa
- If the wind speed inside the duct is out of the proper range, it is necessary to add the corresponding pressure to the blower and gas supply pressure.
- Suitable wind speed range in duct 5m/s~20m/s
- Notes on duct installation
 Air Heater Inlet side duct length 500 mm or more
 Outlet duct length 1000 mm or more

